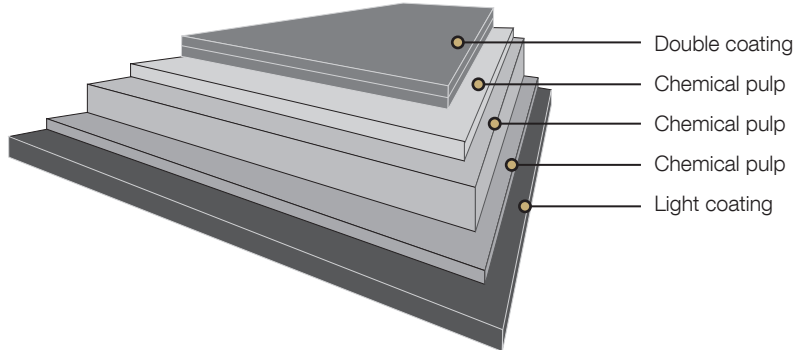


Coated SBS board with light coating on reverse



Issued: 05.2015
Cancels: 03.2015

Specifications for Ensocoat:

Property / Unit	Tolerance												Standards
Grammage, g/m ²	±4%	180*	190	210	220**	230	250	275	300	330	350	380	EN ISO 536:2012
Thickness, µm	±4%	195	200	230	265	270	300	330	365	415	445	485	EN ISO 534:2011
Bending stiffness DIN 5° MD	-15%	5.5	6.4	8.9	11.5	13.6	17.9	23.0	31.9	42.5	49.3	62.9	
Bending stiffness DIN 5° CD	-15%	2.1	3.0	4.3	5.0	6.4	8.5	11.1	15.3	20.4	23.0	29.8	
Bending moment Taber 15° MD, mNm	-15%	3.0	3.6	5.1	6.0	7.7	10.1	13.0	18.1	24.2	28.0	35.7	
Bending moment Taber 15° CD, mNm	-15%	1.5	1.7	2.4	3.0	3.6	4.8	6.3	8.7	11.6	13.0	16.9	
Bending resistance L&W 15° MD, mN	-15%	60	75	105	120	160	210	270	375	500	580	740	
Bending resistance L&W 15° CD, mN	-15%	26	35	50	60	75	100	130	180	240	270	350	ISO 2493-1:2010
Moisture, %		6.5	6.5	6.5	6.5	6.5	6.5	6.5	6.5	6.0	6.0	6.0	EN ISO 287:2009
ISO Brightness C/2°, %, Top		95	95	95	95	95	95	95	95	95	95	95	
ISO Brightness C/2°, %, Reverse			93	93	93	93	93	93	93	93	93	93	ISO 2470-1:2009
CIE Whiteness D65/10°, Top		125	125	125	125	125	125	125	125	125	125	125	
CIE Whiteness D65/10°, Reverse			121	121	121	121	121	121	121	121	121	121	ISO 11475:2004
L* D65/10°		97.7	97.7	97.7	97.7	97.7	97.7	97.7	97.7	97.7	97.7	97.7	
a* D65/10°		2.5	2.5	2.5	2.5	2.5	2.5	2.5	2.5	2.5	2.5	2.5	ISO 5631-2:2008
b* D65/10°		-6.7	-7.1	-7.1	-7.1	-7.1	-7.1	-7.1	-7.1	-7.1	-7.1	-7.1	
Surface Smoothness PPS 10, µm, Top	max 1.4	1.0	0.9	0.9	0.9	0.9	0.9	0.9	0.9	0.9	0.9	0.9	ISO 8791-4:2007
Surface Smoothness PPS 10, µm, Reverse			<4.0	<4.0	<4.0	<4.0	<4.0	<4.0	<5.0	<5.0	<5.0	<5.0	
Surface Smoothness Bendtsen, ml/min, Top		20	20	20	20	20	20	20	20	20	20	20	
Surface Smoothness Bendtsen, ml/min, Reverse			<100	<100	<200	<200	<200	<200	<200	<300	<300	<400	ISO 8791-2:2013
Scott Bond, J/m ²		220	220	220	220	220	220	220	220	220	220	220	TAPPI 569 om-09
Gloss 75°, %, Top		48	48	48	48	48	48	48	48	48	48	48	EN ISO 8254-1:2009

*) Uncoated on reverse. Limited availability
**) Limited availability

All properties according to Imatra Mill measurements.

Test climate 23°C/50% RH (according to ISO 187). In order to verify, reel/pallet average shall be based on 5 single measurements randomly sampled within the reel/pallet. These averages will be for at least 19 of 20 reels/pallets within the specification limits.

Imatra Mills have certified FSC® and PEFC™ Chain-of-Custody (CoC) systems as well as certified hygiene management system.

FSC® logo licence number FSC-C105192
PEFC™ logo licence number PEFC/02-31-71



ensocoat